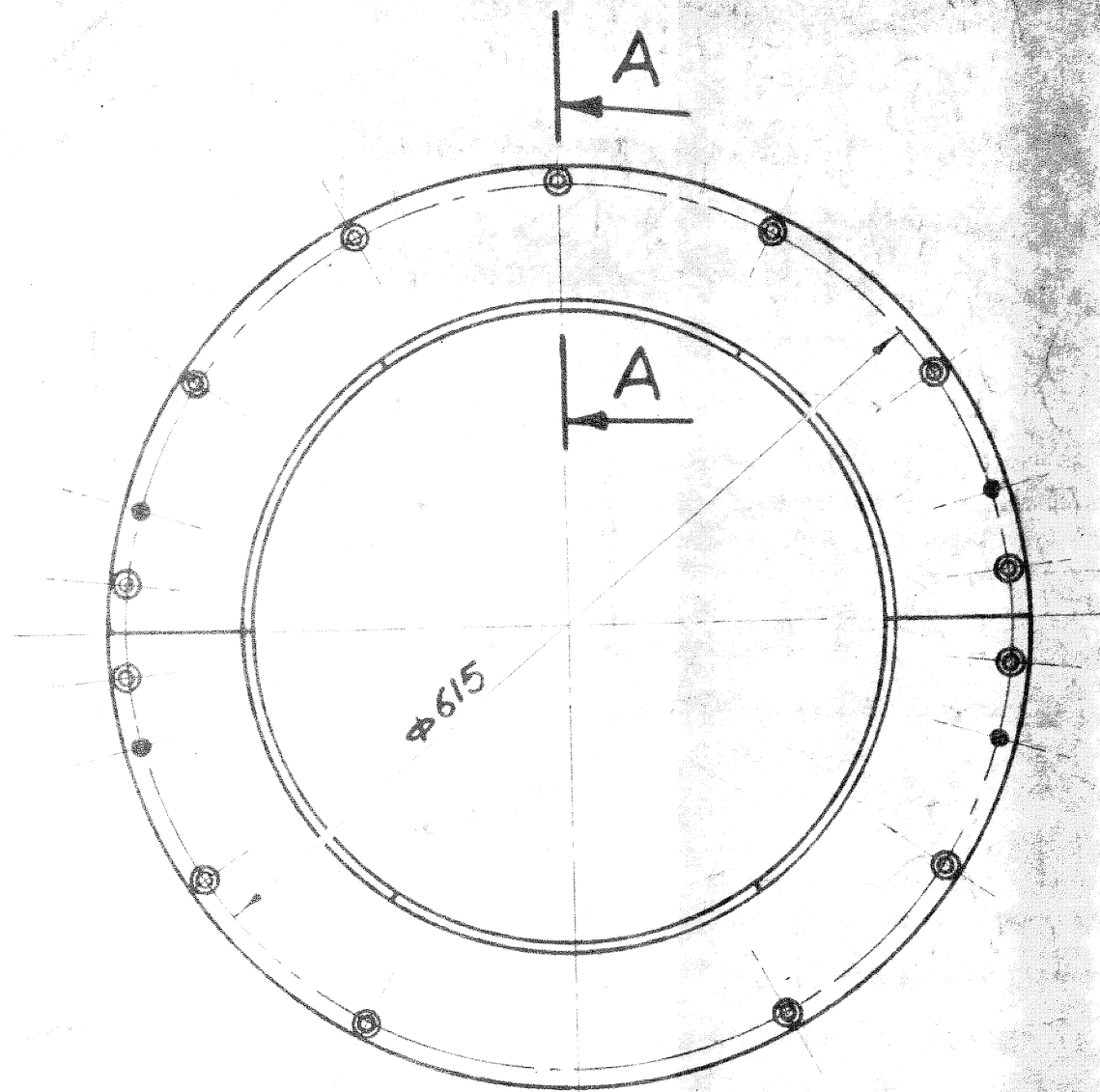
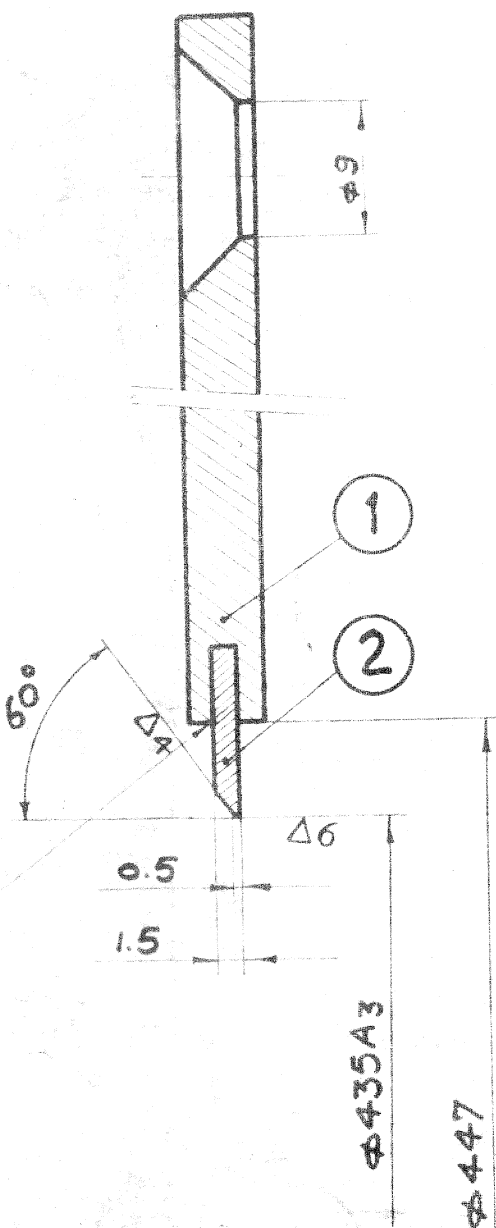


32425020

SECTION A-A
SCALE 2:1



GROUP SP. ASSEMBLY	121309
DR. NO. (EUSO)	F1229230
DATE	
INVENTORY NO.	
INVENTORY NO.	
DATE	
BY	

ITEM NO	DESIGNATION	DESCRIPTION	QTY	P.P.C	TOTAL	MATERIAL	REMARKS
				WE. IN Kg			
2	064.941 PH 353-57	SEALING STRIP R = 21.5	12	0.03	0.36	BRASS B563 IS: 410-59	
1	32425021 122 92 31	OIL GUARD RING (IN TWO HALVES)	2	44 70	88 140	STEEL SE 425 IS: 226-67 MCT3 GOST 500-58	
C-200-130						32425000SP	
OIL GUARD RING						32425020	
(IN TWO HALVES)						LETTER	WEIGHT @
						B	4.58 @ 1.5
						SHEET	TOTAL SHEETS
						1	1
						NEEP	STD

CHKD	3	57679-32	24.2.79
WORKED	P. SINGH		
CHECKED	P. SINGH		
SUPERVISED			
TECH CONTROL	J. LAL		
STD CONTROL	M. P. SINGH		
APPROVED	J. N. KARAN		